

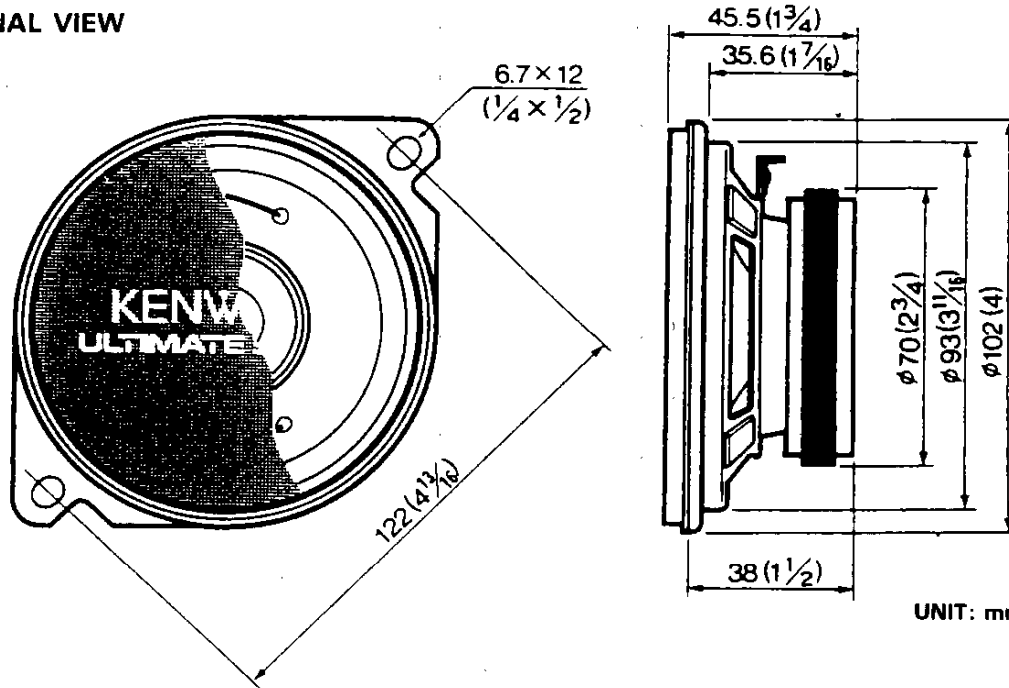
KFC-101E

SERVICE MANUAL

KENWOOD

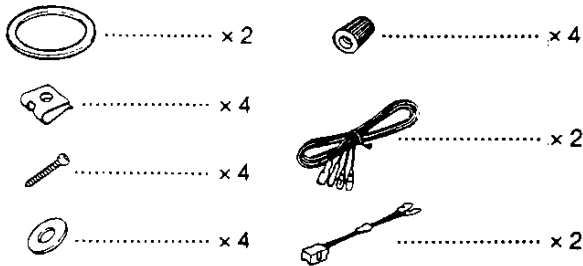
©1989-11 PRINTED IN JAPAN
B51-6107-00(T) 1199

EXTERNAL VIEW



UNIT: mm (inch)

PARTS INCLUDED



SPECIFICATIONS

System	Coaxial 2-Way
Speakers	
Woofer	10 cm (4 in)
cone type	
Tweeter	4 cm (1-9/16)
cone type	
Peak Power	40 Watts
Frequency Response	60 Hz ~ 20,000 Hz
Sensitivity	91 dB/W at 1 m
Impedance	4 ohms
Weight per speaker	380 g/pc

PARTS LIST

★ New parts
Parts without Parts No. are not supplied.
Les articles non mentionnés dans le Parts No. ne sont pas fournis.
Teile ohne Parts No. werden nicht geliefert.

Ref No.	New Parts	Parts No.	Description
		E30-0967-08	CABLE SET
		E30-1549-08	CORD SET
	★	F09-0869-08	PROTECTOR
		N99-0083-08	SCREW SET
		T15-0115-08	SPEAKER

Q.C.
COPY

(KENWOOD follows a policy of continuous advancements in development.
For this reason specifications may be changed without notice.)